

0401/213
TRADE THEORY
June/July 2020
Time: 2½ hours



THE KENYA NATIONAL EXAMINATIONS COUNCIL
ARTISAN CERTIFICATE IN GARMENT MAKING

TRADE THEORY

2½ hours

INSTRUCTIONS TO CANDIDATES

This paper consists of TWO sections; A and B.

Answer ALL questions in section A and any FOUR questions from section B in the answer booklet provided.

Maximum marks for each part of a question are as indicated.

Candidates should answer the questions in English.

This paper consists of 4 printed pages.

Candidates should check the question paper to ascertain that all the pages are printed as indicated and that no questions are missing.

SECTION A (40 marks)

Answer ALL questions from this section.

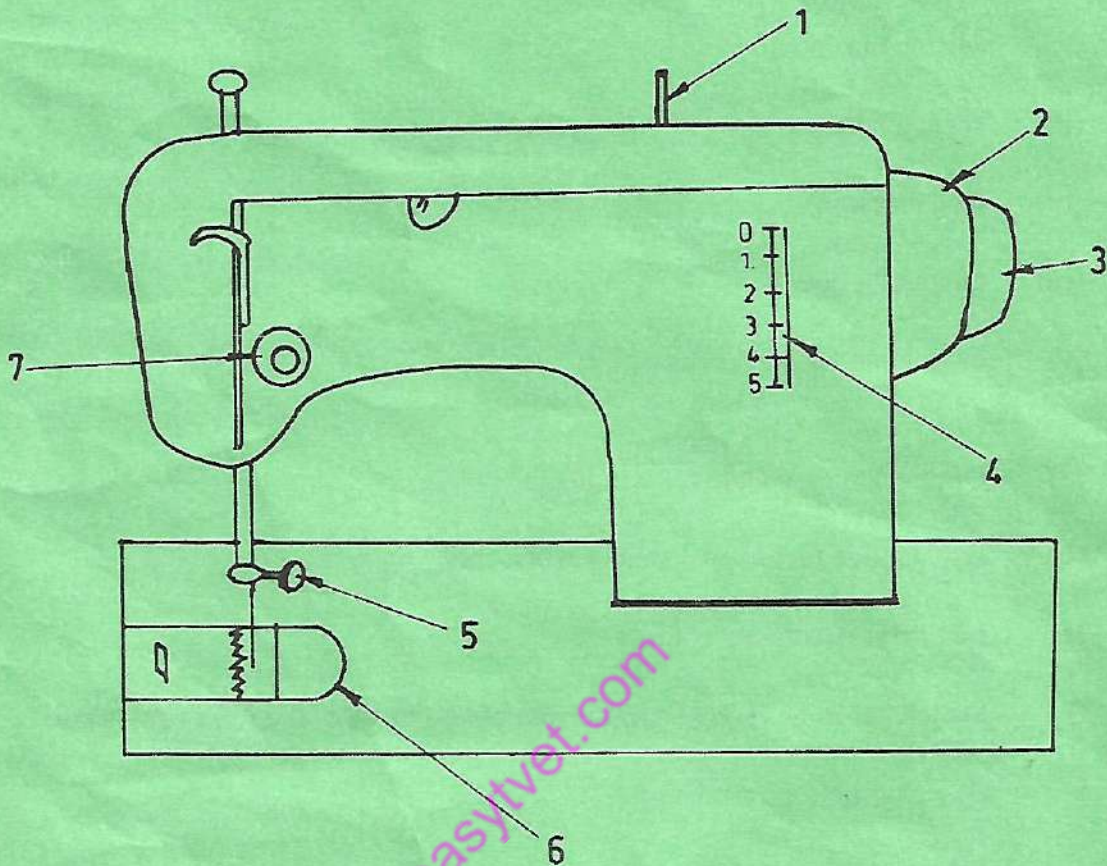
1. List **four** parts of a sewing machine. (2 marks)
2. Name **three** self neatening seams. (3 marks)
3. Differentiate between 'temporary' stitches and 'permanent' stitches. (2 marks)
4. State **four** qualities of cotton fabrics. (2 marks)
5. Define the term 'weaving'. (2 marks)
6. Highlight **five** ways of caring for a sewing machine. (5 marks)
7. Outline **four** methods of disposing fullness. (2 marks)
8. List the measurements required when drafting a trouser. (3 marks)
9. Name **four** types of fasteners. (2 marks)
10. Describe the following:
 - (a) standing collars; (2 marks)
 - (b) Kimono sleeve. (2 marks)
11. List **four** types of permanent hand stitches. (2 marks)
12. State **four** causes of needle breaking during machine stitching. (2 marks)
13. Outline the procedure for making a plain open seam. (3 marks)
14. Highlight **six** points to consider when making handstitches. (3 marks)
15. List **six** tools used in a garment making workshop. (3 marks)

SECTION B (60 marks)

Answer any FOUR questions from this section.

16. Highlight **three** important factors to be considered when choosing each of the following:
- (i) sewing machine; (3 marks)
 - (ii) sewing needles; (3 marks)
 - (iii) tape measure; (3 marks)
 - (iv) an ironing board; (3 marks)
 - (v) cutting out shears. (3 marks)
17. (a) Outline the procedure for winding a bobbin. (5 marks)
- (b) Explain **five** factors to consider when choosing seams. (10 marks)
- ~~18.~~ (a) List **three** secondary colours. (3 marks)
- (b) Sketch the front view of a sleeveless blouse to show the following details:
- (i) double-pointed darts;
 - (ii) fitted waist;
 - (iii) V-neckline;
 - (iv) flat collar;
 - (v) buttoned opening.
- (12 marks)

19. (a) With the aid of diagrams, outline the procedure for making an overlaid seam. (8 marks)
- (b) Label the sewing machine parts shown below. (7 marks)



20. (a) Draw the care label symbols for each of the following:
- (i) washing; (2 marks)
 - (ii) bleaching; (2 marks)
 - (iii) drying; (2 marks)
 - (iv) ironing; (2 marks)
 - (v) dry cleaning. (2 marks)
- (b) Outline five causes of accidents in a garment making workshop. (5 marks)

THIS IS THE LAST PRINTED PAGE.